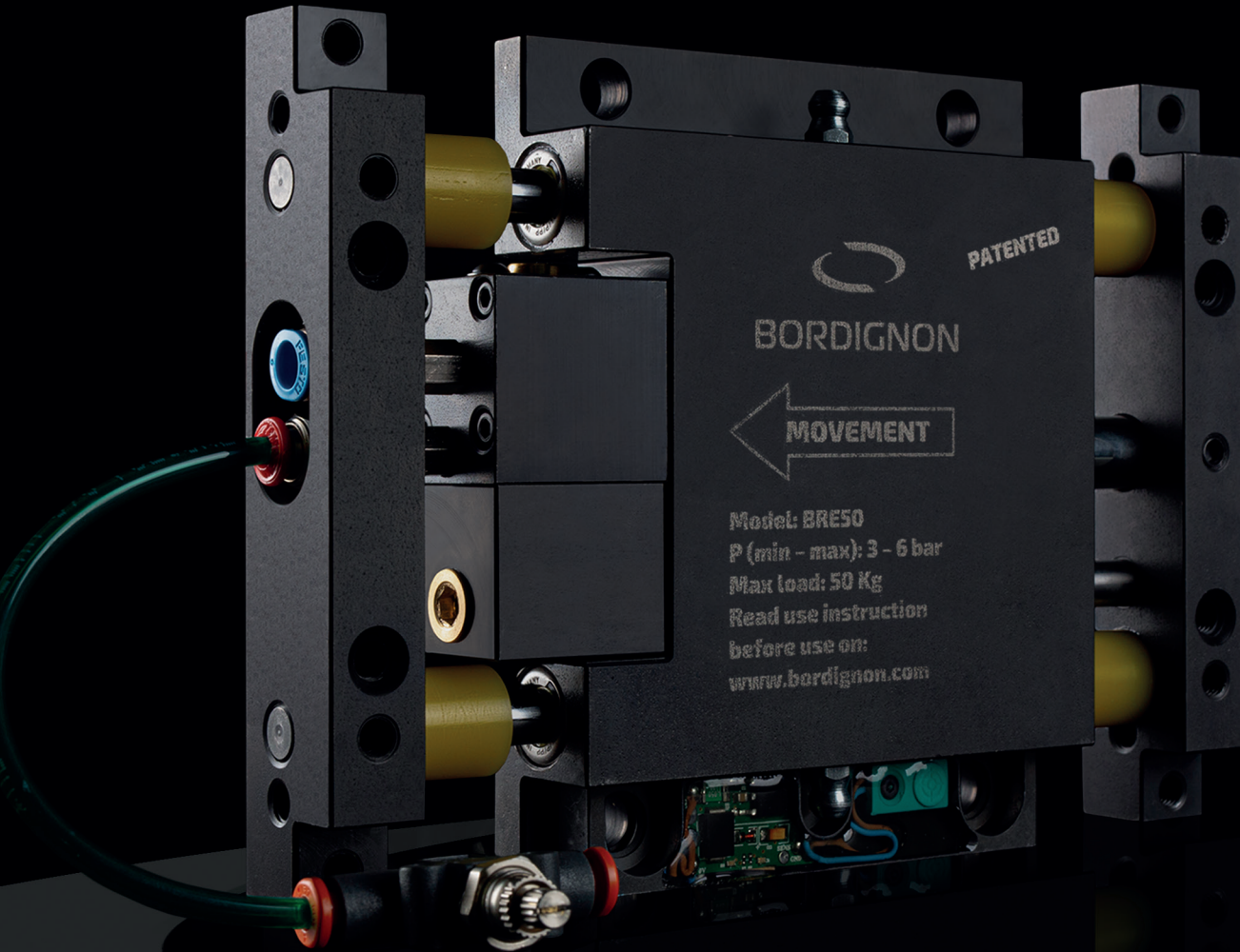


BRE50 Air scrap remover

BRE50 空气废料振动器



Where innovation happens / 创新发生之地
详情内容可见: www.bordignon.com





100% Made in Italy
100%意大利制造专利产品

*Optional device
*为选装配件

Why choose BRE50?

为什么选择BRE50?

BRE50 AIR SCRAP REMOVER

The BRE 50 works only by compressed air. The scrap shooter, by moving quickly back and slowly forward, makes the scrap to move ahead. Made to remove scraps in the dies for cutting and to transport metal components, it is also used in many other fields: general metal dies, plastic dies, mechanical industry, food, pharmaceutical, packaging industry and assembly industry.

BRE50 空气废料振动器

BRE50只需压缩空气即可工作，通过带动滑料板快速退慢进的往复运动，使落下的废料向前输出。

装置设计用于落料模废料从模具中输出，以及金属零件的输送。常规的冲压模具，塑料模具，机械行业，食品行业以及医疗、包装和组装行业亦有广泛应用。

Characteristics

- Compact dimensions;
- Max load (scrap shooter included): 50 kg;
- Supply fluid: filtered compressed air, not lubricated, not damp;
- Working pressure (bar): Min 3 / Max 6;
- Working temperature: Min 0°C (32°F) / Max 60°C (140°F);
- Mounting inclination: Min 0° / Max -45°;
- Sound level dB (A): 60.

BRE50特点

- 体积小巧;
- 负载最大可达50kg;
- 工作介质: 压缩空气(油水分离后);
- 工作压力(巴): 最低3巴 / 最高6巴;
- 操作温度: 最低0°C(32°F) / 最高60°C(140°F);
- 安装角度: 最低0° / 最高-45°;
- 噪音值: 60分贝.

AIR CONSUMPTION (AT 4 BAR WITH 25 KG LOAD) / 空气消耗量(4巴压力, 25KG负载测试)

SMP	30	60	90	200	400
L/min	0,4	0,8	1,2	2,5	4,5

Benefits of BRE50

BRE50的优势

Extra powerfull and super compact, the scrap remover has many advantages in technical aspects and in convenience of use. It combines superior performance, versatile application and great reliability.

- Reduced height (27 mm);
- Minimal air consumption;
- Resistance to uneven loads;
- Capable of transportation on downhill and even surfaces;
- Easy assembly and use;
- Easy frequency regulation in small spaces;
- One scrap remover unit can support multiple scrap shooters.
- Low initial cost.

超强负载，小巧体积！

基于多方位的技术优势和极佳的易用性，使得BRE50集高性能、多用途和高可靠性于一身。

- 极低安装高度(27mm);
- 极小空气消耗量;
- 可承受偏载;
- 平面输送或角度输送均可;
- 易装易用;
- 频率调节简单便捷;
- 一拖多(一台BRE50带动多个滑料板);
- 低成本/低投入.

HOW CAN THE SCRAP REMOVER BE USED?

如何使用？

Device that allows the transport of materials through a vibrating pneumatic system. It has very small dimensions. It can be also used in uncomfortable situations of scraps evacuation. Scrap shooters with different dimensions can be applied, depending on application needs.

废料振动器是一个往复振动的气动装置，可以将物料沿设定方向输送。
BRE50所占空间极小，甚至也适用于不可接触的废料输出(例如高温或尖锐的金属零件)。
滑料板设计灵活多样，可根据输送要求而设计成不同尺寸规格。

Fields of application

The technical characteristics of the BRE50 make it suitable for a wide range of use:

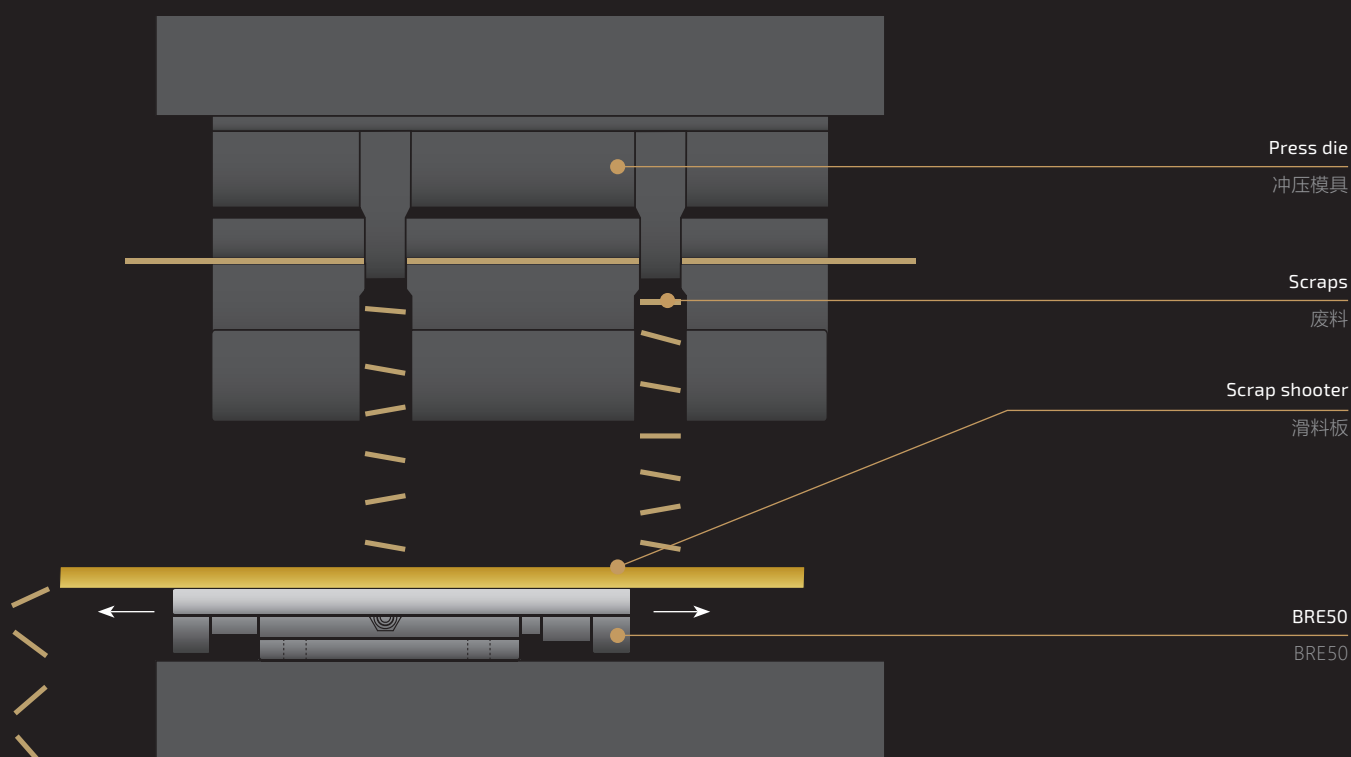
- Removing scraps from stamping dies;
- Metal components transport;
- Separation and sieving of different elements (e.g. small metal parts);
- Mechanical industry;
- Food industry;
- Pharmaceutical industry;
- Automation.

应用领域

BRE50自身的 technical 特点使其在众多领域得以应用:

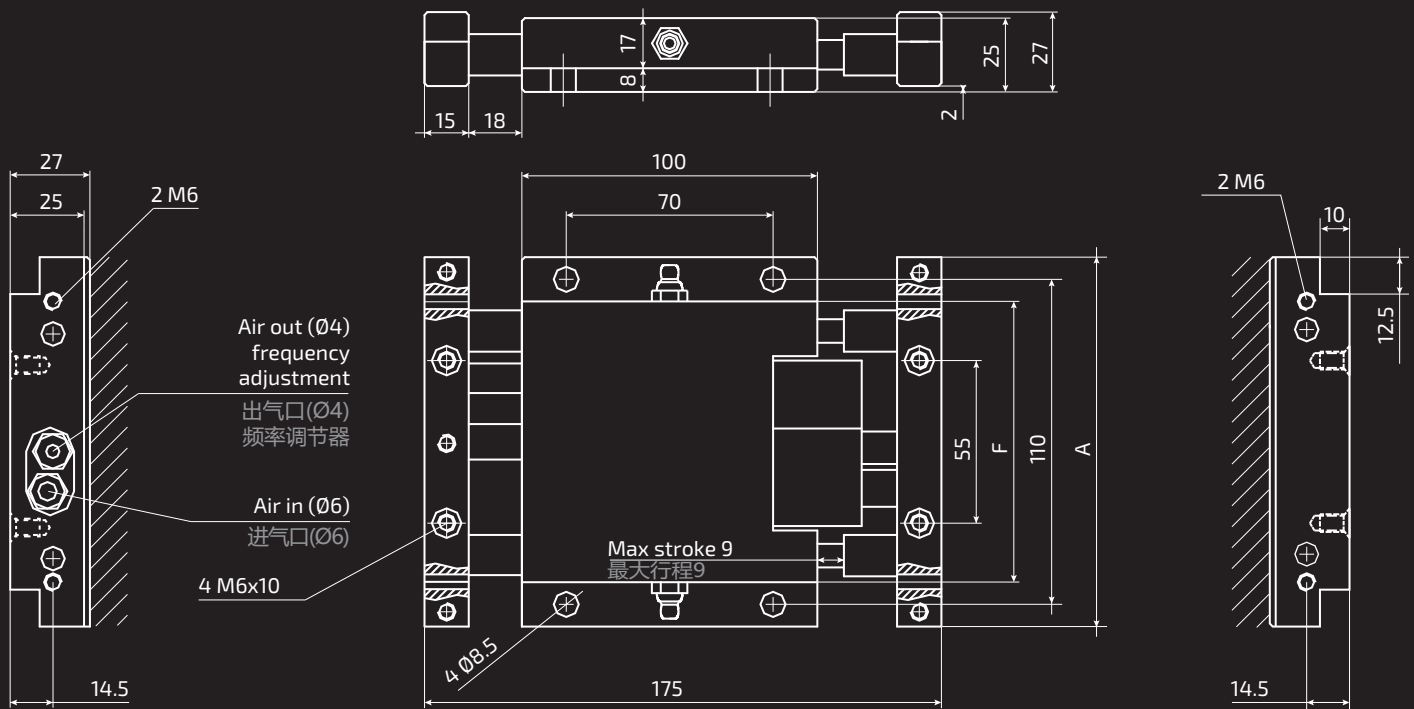
- 冲压模具废料输送;
- 金属零件输送;
- 不同零件的筛选分离(例如大小不同的金属零件);
- 机械行业;
- 食品行业;
- 药品行业;
- 自动化行业.

PRESS DIE APPLICATION / 冲压模具应用示例



BRE standard model

BRE标准型



Model / 型号	A	F	Weight Kg / 重量Kg
BRE50-125	125	95	2.6
BRE50-145	145	105	2.7
BRE50-195	195	155	3.0

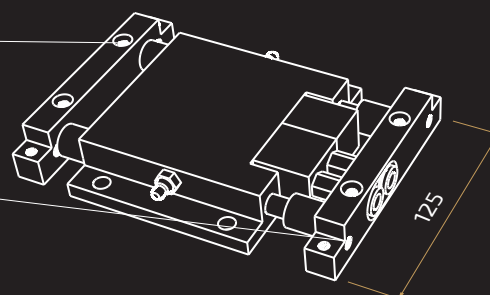
All dimensions in mm / Download DWG - DXF files and 3D drawings from: www.bordignon.com
 2D/3D图纸下载: www.bordignon.com

BRE50 WIDTH 125 / BRE50-125(125MM宽度)

4 M6x10 fixing screws for scrap shooter
4个M6-10 滑料板安装螺纹孔

4 M6 fixing screws for brackets to weld
(STASAL-125)

4个M6滑料板固定座(焊接)安装螺纹孔
(STASAL-125)

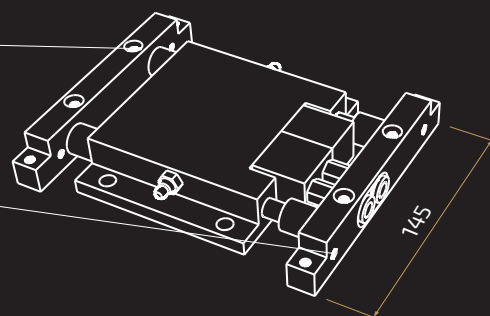


BRE50 WIDTH 145 / BRE50-145(145MM宽度)

4 M6x10 fixing screws for scrap shooter
4个M6-10 滑料板安装螺纹孔

4 M6 fixing screws for brackets to weld
(STASAL-145)

4个M6滑料板固定座(焊接)安装螺纹孔
(STASAL-145)

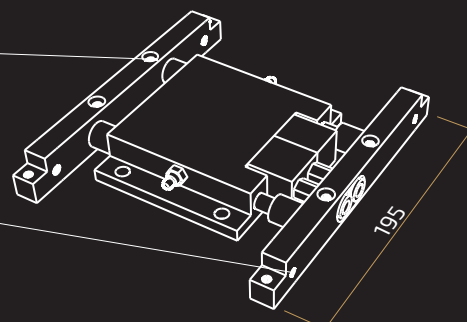


BRE50 WIDTH 195 / BRE50-195(195MM宽度)

4 M6x10 fixing screws for scrap shooter
4个M6-10 滑料板安装螺纹孔

4 M6 fixing screws for brackets to weld
(STASAL-195)

4个M6滑料板固定座(焊接)安装螺纹孔
(STASAL-195)



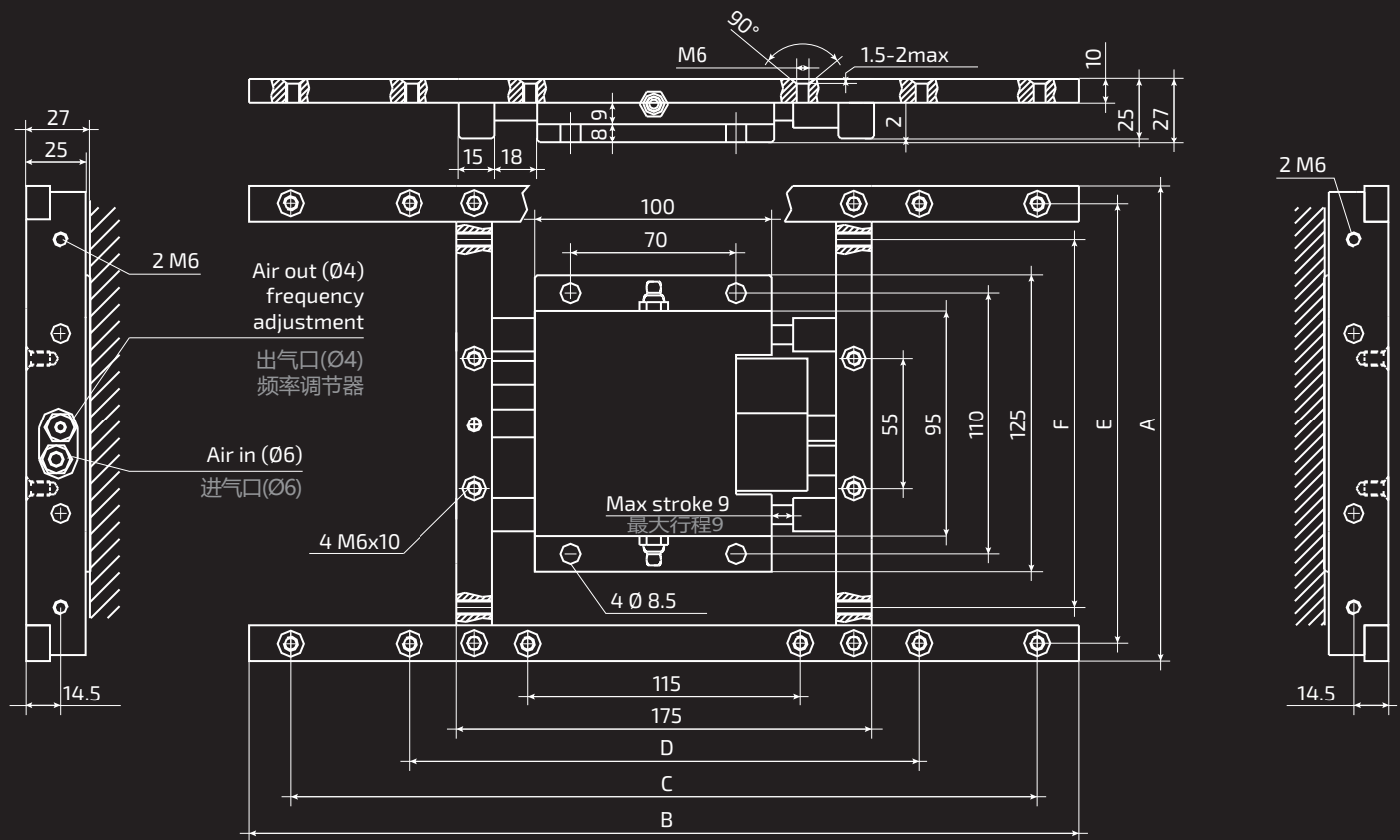
BRE special models

BRE扩展型号

What is the model to choose? The one with the more similar dimensions A and B to the scrap shooter that you will use.

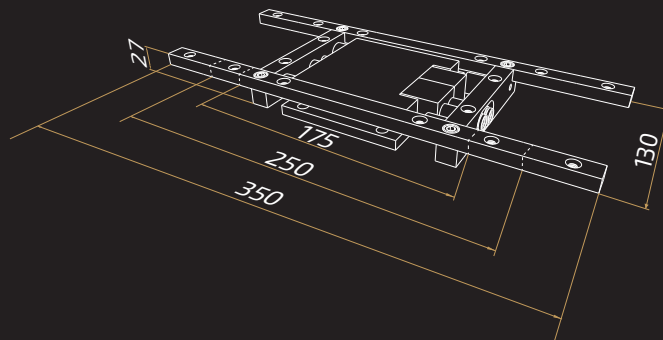
多型号可选!

A/B尺寸(长宽)不同, 滑料板安装方式相同!

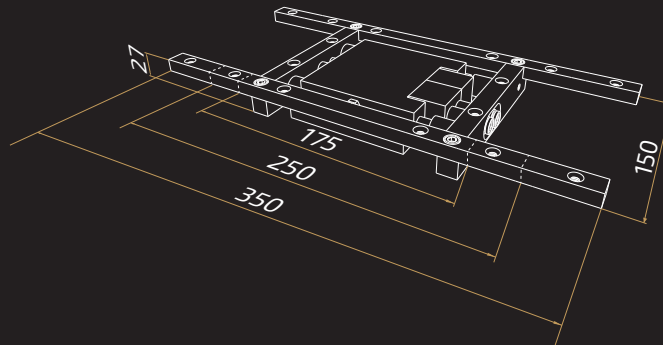


Model / 型号	A	B	C	D	E	F	Weight Kg / 重量Kg
BRE50 130-175	130	175	-	-	115	95	3.0
BRE50 130-250	130	250	215	-	115	95	3.1
BRE50 130-350	130	350	315	215	115	95	3.3
BRE50 150-175	150	175	-	-	135	105	3.1
BRE50 150-250	150	250	215	-	135	105	3.2
BRE50 150-350	150	350	315	215	135	105	3.5
BRE50 200-175	200	175	-	-	185	155	3.4
BRE50 200-250	200	250	215	-	185	155	3.5
BRE50 200-350	200	350	315	215	185	155	3.8

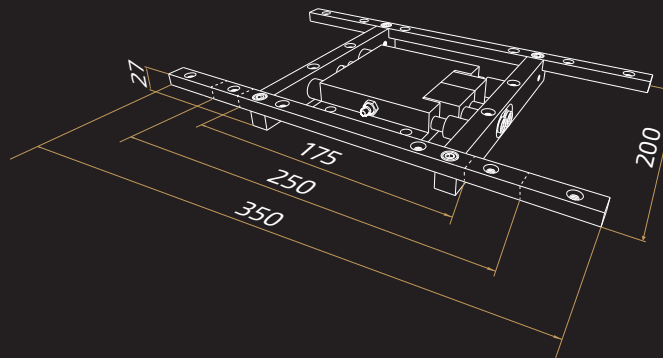
BRE50 WIDTH 130 / BRE50-130(130MM宽度)



BRE50 WIDTH 150 / BRE50-150(150MM宽度)



BRE50 WIDTH 200 / BRE50-200(200MM宽度)

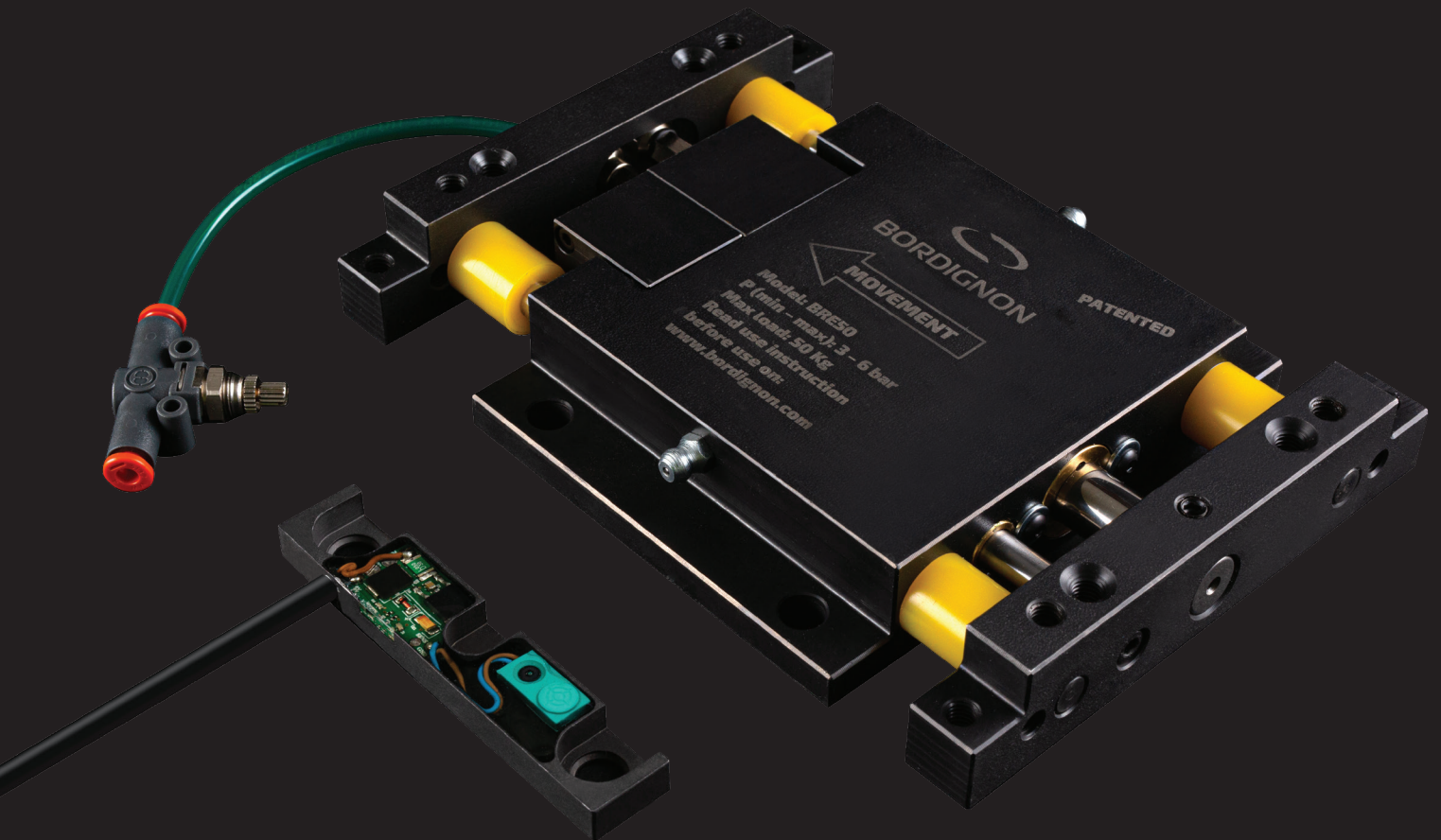


Greater safety thanks to BRE-CD sensor

BRE-CD: 稳定排料的安全保障

The BRE scrap remover is a necessary component in the stamping process but it can also pose risks: if it stops working, the scraps keep gathering and may cause damages to the tools.

BRE废料振动器是冲压领域必不可少的自动装置，但是对于自动化生产线，仍然存在风险：一旦装置停止运行，模具可能因为不能及时清除废料而受到损坏。



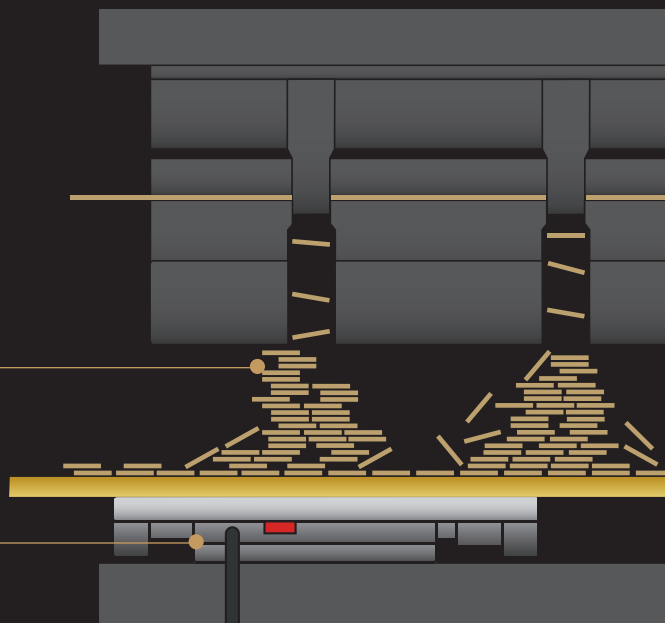
HOW IT WORKS / BRE-CD是如何工作的?

BRE-CD is a sensor that detects when the scrap remover stops during the production process and gives an alert signal by an alarm connected to it.

The sensor can only be installed on special BRE models (more information about special models on page 8).

BRE-CD是一个传感器，一旦BRE50停止运行，就会立即输出信号给关联的报警装置报警。

BRE-CD只能安装在BRE50的扩展型号上（扩展型号详见第8页）



Wrong production process

废料排除故障示意



The BRE-CD sensor signals anomaly by an alarm connected to it

BRE-CD给出信号，与之接驳的报警器报警

Advantages of the sensor

- Easy installation;
- Time adjustment;
- Low voltage;
- Connectable to external devices;
- Functioning led;
- Alarm led;
- Automatic reset;
- Ingress Protection Code: IP67.

BRE-CD监测器特点

- 易装易用;
- 监测时间调整;
- 低电压;
- 扩展接口(与外置设备连接);
- LED功能指示灯;
- 报警指示灯;
- 自动重设;
- 防护等级: IP67.

How it works

BRE-CD是如何工作的?

The BRE-CD (1) sensor is factory calibrated in order to give an alarm signal when the BRE50 (3) stops for more than 0.2 seconds. Set time of 0.2 seconds may be increased up to maximum 2 seconds. In case of alarm, the BRE-CD (1) sensor sends a signal which can be connected to any device.

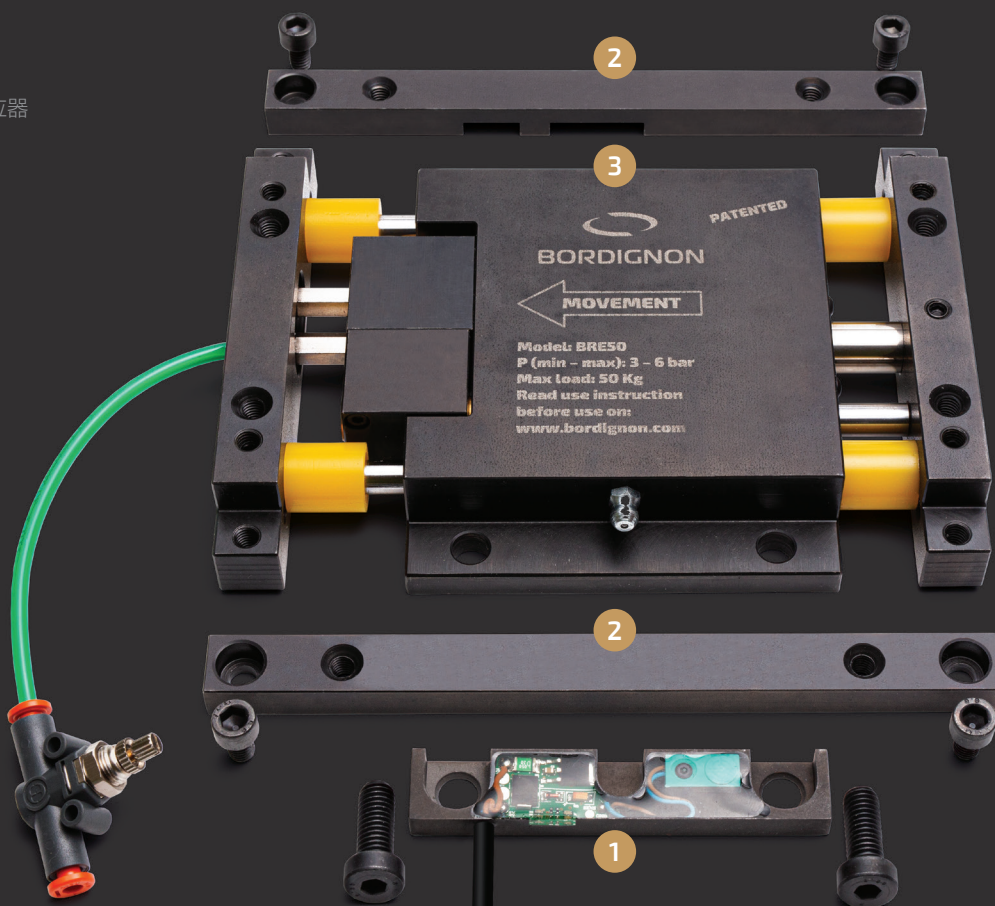
After an alarm has occurred and once the problem has been solved, the alarm output is automatically reset after 3 sec.

BRE-CD(1)是一个已出厂预校准的监测器，当废料振动器 BRE50(3)停止振动超过0.2s，即会给出报警信号。

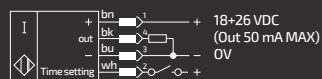
监测时间可以从预设定的0.2s提高到最大2s。一旦超过设定的监测时间，BRE-CD(1)就会发出信号，通过接驳的报警装置报警。

如果故障排除，BRE50恢复正常工作，3s后报警信号会自动解除。

- 1 BRE-CD SENSOR / BRE-CD监测感应器
- 2 SIDE BRACKETS / 侧安装条
- 3 BRE50 / BRE50废料振动器



BRE-CD EXTERNAL CONNECTION / BRE-CD 外设连接



Electric diagram / 电路图

How to order a BRE50 with BRE-CD sensor and side brackets / 如何订购带有BRE-CD和侧安装条的整套装置?

IF YOU NEED TO ORDER A SCRAP REMOVER BRE50 COMPLETE WITH SIDE BRACKETS AND BRE-CD SENSOR: /
如果您想订购包括BRE-CD和侧安装条的整套废料振动装置, 请给出以下订购代码:

BRE50-130-175-CD

BRE50-130-250-CD

BRE50-130-350-CD

BRE50-150-175-CD

BRE50-150-250-CD

BRE50-150-350-CD

BRE50-200-175-CD

BRE50-200-250-CD

BRE50-200-350-CD

How to order a set made of the BRE-CD sensor and side brackets / 如何单独订购BRE-CD和侧安装条

IF YOU ALREADY HAVE A: / 如果您已经有了下述装置:

ORDER: / 单独订购BRE-CD和侧安装条时请给出以下订购代码:

BRE50-125

BREKIT-CD130-SB175

BRE50-145

BREKIT-CD150-SB175

BRE50-195

BREKIT-CD200-SB175

How to order a BRE-CD sensor / 如何单独订购BRE-CD监测器

IF YOU ALREADY HAVE A: / 如果您已经有了下述装置:

ORDER: / 单独订购BRE-CD时请给出以下订购代码:

BRE50-130-175

BRE-CD130

BRE50-130-250

BRE-CD130

BRE50-130-350

BRE-CD130

BRE50-150-175

BRE-CD150

BRE50-150-250

BRE-CD150

BRE50-150-350

BRE-CD150

BRE50-200-175

BRE-CD200

BRE50-200-250

BRE-CD200

BRE50-200-350

BRE-CD200

Fixing and use instructions

安装及使用说明

- Fix the scrap remover with 4 screws on a solid base. On the special models BRE50 130-..., disassemble the side brackets to reach the fixing holes;
- Connect the inlet pipe of the compressed air (\varnothing 6 mm);
- Fix the scrap shooter on the scrap remover. The greater the inclination of the scrap shooter or scrap remover, the lower the air consumption;
- The scrap remover begins to move when the compressed air is on;
- Adjust the pressure of the compressed air (3-6 bar). Lower pressure will lead to lower air consumption;
- Adjust the frequency. Lower frequency will lead to lower air consumption. See video on www.bordignon.com;
- NOTE: air pressure reducer, air inlet pipe, fixing screws and scrap shooter are not included. Contact your local dealer.
- 用4颗螺栓将BRE50固定到一个稳固的安装面上，如果是扩展型号，需要先拆除侧安装条；
- 接入接气管(\varnothing 6 mm气管)；
- 安装滑料板，滑料板或者BRE50安装面带有一定倾斜角度更好，空气消耗量也更小；
- 通气即开始往复振动；
- 可以调整进气气压(3-6巴)，压力越低空气消耗量越小；
- 可以调整振动频率，频率越低空气消耗量越小；
- 说明：所售装置不含进气管，油水过滤器，压力调节阀以及滑料板和安装螺丝，如需配套，请联系当地代理商。

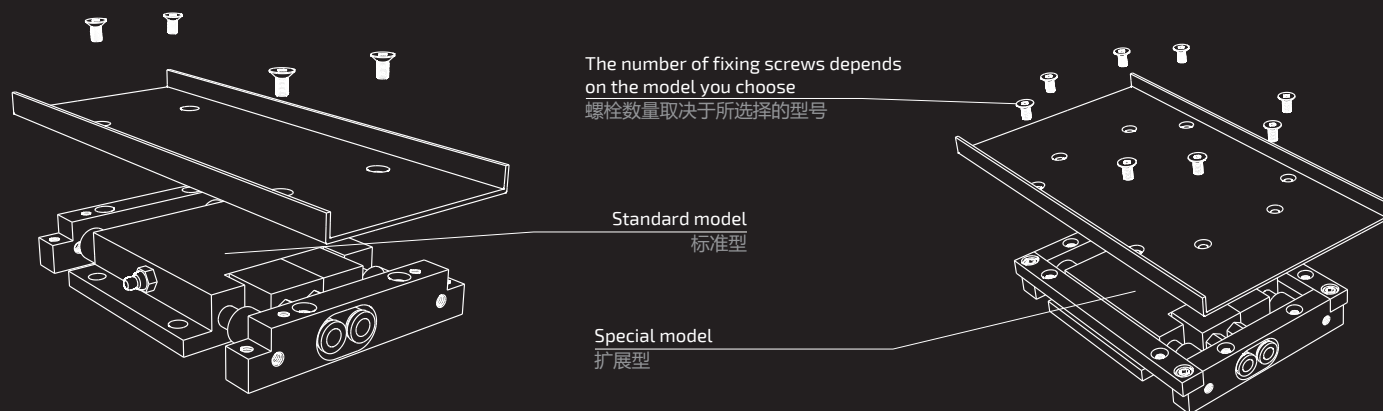
Instructions

- Use filtered dry air, without oil;
- Use a suitable scrap shooter (embossing shooting plate) for oily scraps;
- Lubricate every month, when working 24 hours per day;
- Lubricate every 3 months, when working 8 hours per day;
- Use a lubricant grease for bearings;
- Put lubricant into the 2 grease fittings until it is full.

说明

- 请使用油水分离器，保证压缩空气干燥洁净；
- 多油废料需选用合适的滑料板(滤油网板或带有排油结构)；
- 24H/天工作，请每个月补充一次润滑油；
- 8H/天工作，请每3个月补充一次润滑油；
- 请使用轴承润滑油；
- 通过两侧油嘴注满油脂。

FIXING OF THE SCRAP SHOOTER WITH SCREWS / 螺栓固定滑料板示意



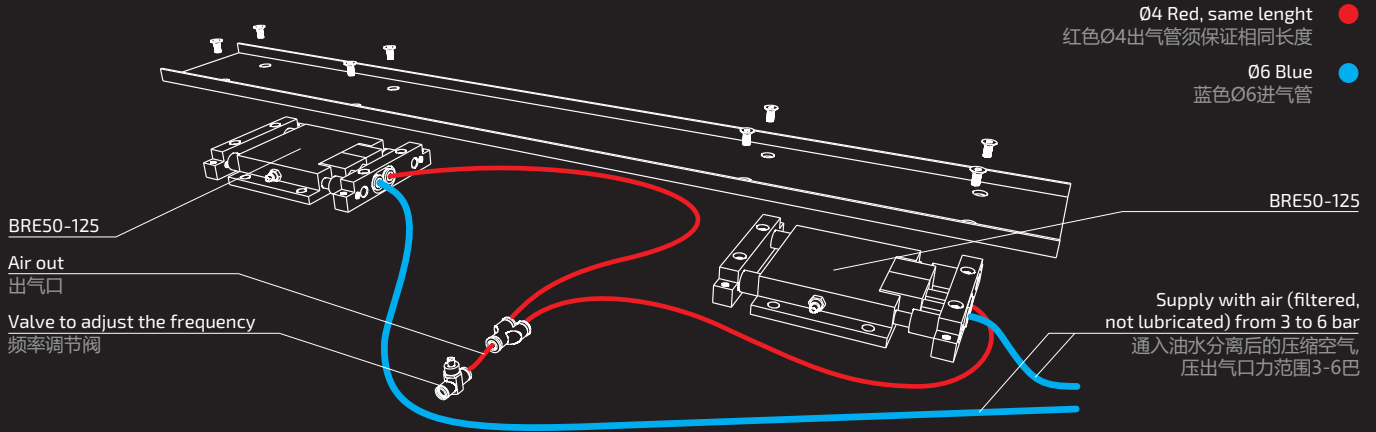
WARNING: SIZE OF THE SCRAP SHOOTERS
In the standard model BRE50, the maximal width and length of the scrap shooters depend on their thickness. Excessively large scrap shooters may cause vertical or wave-like vibrations that prevent the correct removal of scraps. In such cases, refer to the assembly examples shown on the next pages.

警告：滑料板尺寸
标准型BRE50的滑料板最大长宽允许值与其厚度有关。过大的滑料板可能会造成上下方向的振动或者波浪形式的振动而无法有效排除废料，发生这种情况时，请参考下一页的安装示例。

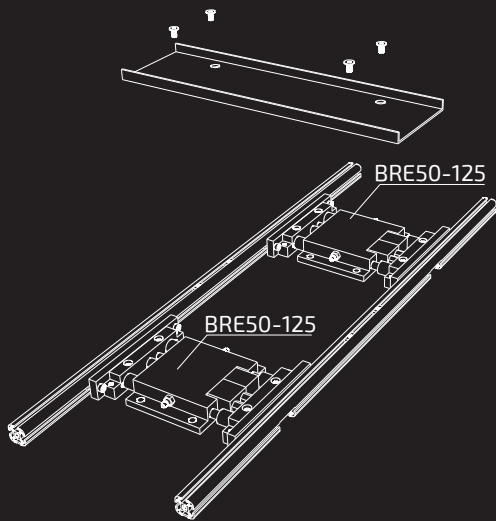
BRE AIR SCRAP REMOVER / BRE50 空气废料振动器

EXAMPLE OF ASSEMBLY OF ONE LONG SCRAP SHOOTER WITH TWO SCRAP REMOVERS IN SERIES / 超长滑料板驱动示例

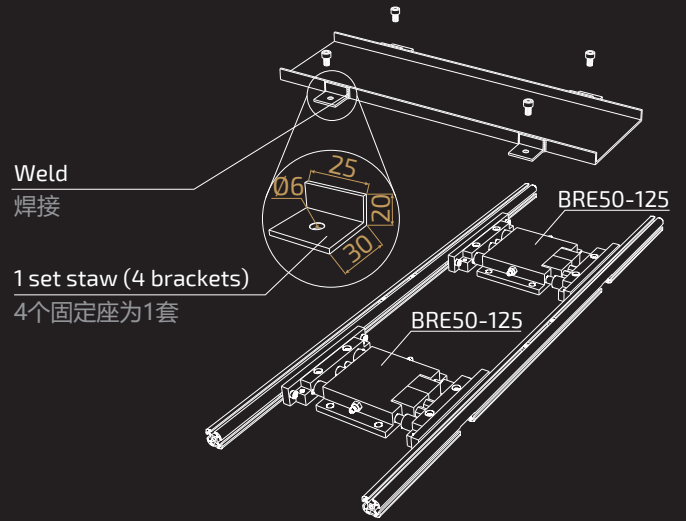
Max load 100 kg / 最大负载100KG



ASSEMBLY OF THE SCRAP SHOOTER WITH SCREWS
安装滑料板



ASSEMBLY OF THE SCRAP SHOOTER WITH STAW BRACKETS
通过滑料板固定座安装滑料板



EXAMPLES OF ASSEMBLY IN PARALLEL OF MULTIPLE SCRAP SHOOTERS AND MULTIPLE SCRAP REMOVERS / 多滑料板系统驱动示例

Max load 100 kg / 最大负载100KG





博迪龙

DISTRIBUTOR
经销商

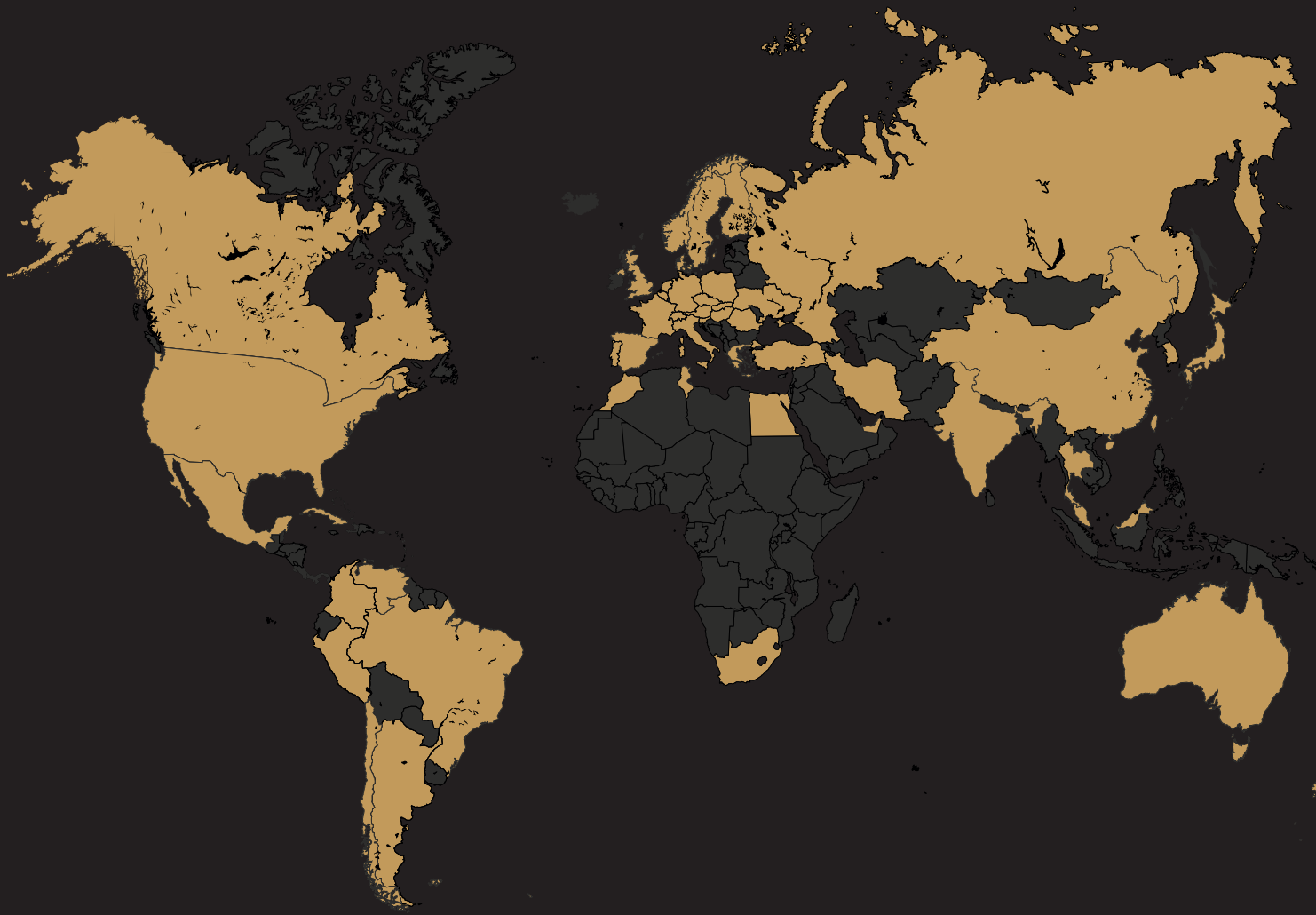
BORDIGNON SRL

Via Volta, 20 - 36028 Rossano Veneto (VI) Italy
T +39 0424 36157 - F+39 0424382359
bordignon@bordignon.com

PRODUCTION/TECHNICAL OFFICE

Via Volta, 2 - 36028 Rossano Veneto (VI) Italy
T +39 0424 540311
b.simone@bordignon.com

Bordignon Srl reserves the right to make modifications to the technical data of this catalogue, without prior notice.
Bordignon Srl 保留对本目录的技术数据进行修改的权利, 恕不另行通知.



Find our products catalogues online - 了解我们的线上产品目录 www.bordignon.com